



since 1971
the power to control

Monitoring unit FSB 16-LED with wide range inputs and supply for front panel installation, 16 signal inputs

Type designation:

FSB 16-LED
monitoring unit
for 16 signal inputs,
with LED-test



power supply green

-X3 1-9 -X4 1-9

Fig.
Special version with
different colored LED
(standard = red)

Controls and displays

- Bright 5mm LED display (standard = red)
- Separate status indicator (green = Power ON)
- Easily exchangeable label strips
- Integrated functional button for LED-test

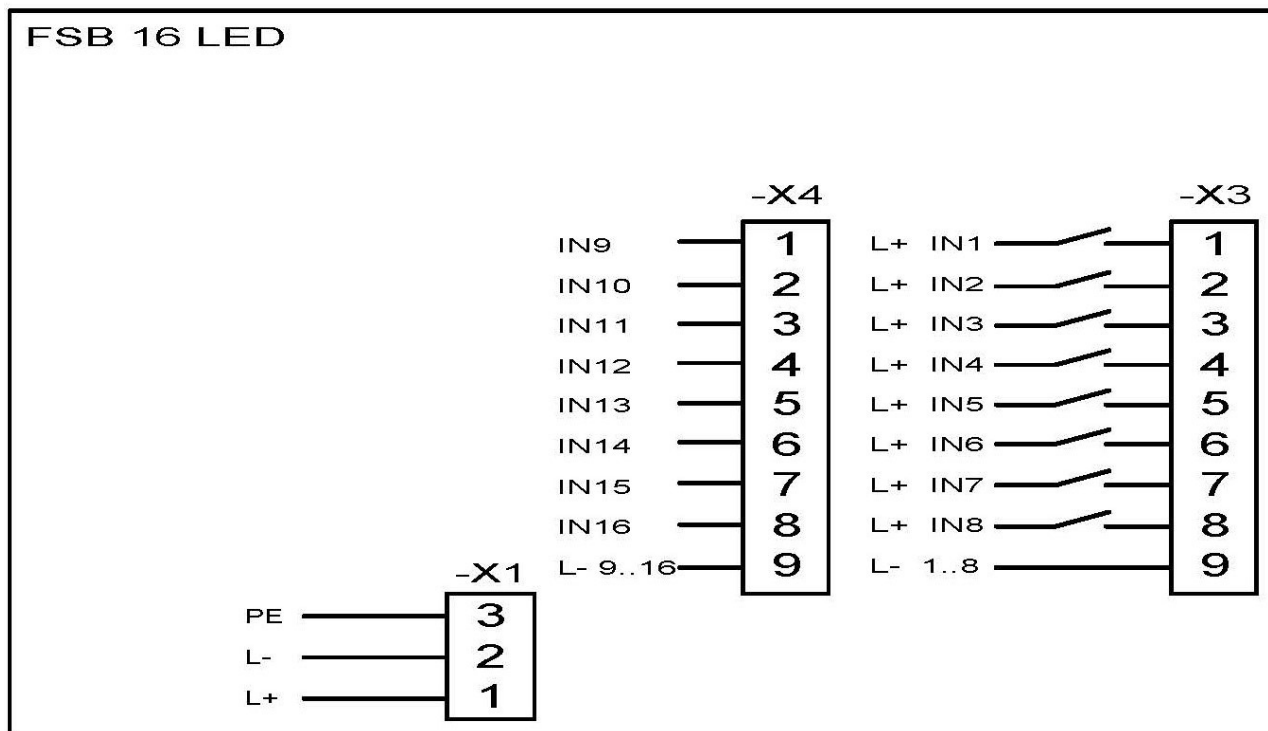
Electrical characteristics

- **Supply voltage 40-250V DC**
- **16 signal inputs (48-220V DC)** with LED-display (different colors on request)
- Continuous light during pending message
- No signal storage
- EMC-values: UNITRO-Standard in accordance with EN 61000

Mechanical characteristics

- Compact plastic junction housing 96 x 96 x 85 + 25mm. Degree of protection: front IP50
- Connection: Screw-type terminals, plug connection max. 2,5mm²

Connection diagram FSB 16-LED



Technical data:

- Type of construction:
control board housing 96 x 96 x 85 + 25mm
(cutting for installation: 92 x 92 + 1mm)
- Degree of protection:
front IP50 (option IP54), rear IP20
- Weight:
approx. 250g
- Climatically conditions:
in accordance with UNITRO-Standard
- Connection:
screw-type terminals/ plug connection
max. 2,5mm²
- Front panel button:
LED test
- Supply voltage:
40-250V DC ±15%
- Signal input voltage:
48-220V DC ±15%
voltage tolerance ±10%
- Rated current (signaling input):
at 48V DC 0,5mA
at 220V DC 1mA
- Power loss 100% ED:
max. 10W
- LED display:
labeled with marking strips
alarm: red steady light
no alarm: LED off
power on LED = green steady light
- Leakage distances and clearances:
in accordance with UNITRO-Standard
- EMC, immunity of interference:
UNITRO-Standard,
in accordance with EN 61000



since 1971
the power to control

Combinations FSB-LED

FSB - LED				
	<table border="1"><tr><td>48V DC to 250V DC +20% / -5%</td><td>250V DC ± 10-15%</td></tr><tr><td>16/16-LED red</td><td>16/16-LED red</td></tr></table> <p>Other models and colors available on request.</p> <p>Also different color combinations possible.</p>	48V DC to 250V DC +20% / -5%	250V DC ± 10-15%	16/16-LED red
48V DC to 250V DC +20% / -5%	250V DC ± 10-15%			
16/16-LED red	16/16-LED red			

