



since 1971  
the power to control

Fleischmann  
**unitro**<sup>®</sup>  
STÖRMELDESYSTEME

## LM 0/8 ana, analog Output module for DIN rail mounting

### Type designation:

#### LM 0/8 ana

module for DIN rail mounting with  
depending on equipment variant:

8x analog outputs:	0-20mA max. 600Ω or
8x analog outputs:	4-20mA max. 600Ω or
8x analog outputs:	0-5V min. 1kΩ or
8x analog outputs:	1-5V min. 1kΩ or
8x analog outputs:	0-10V min. 1kΩ

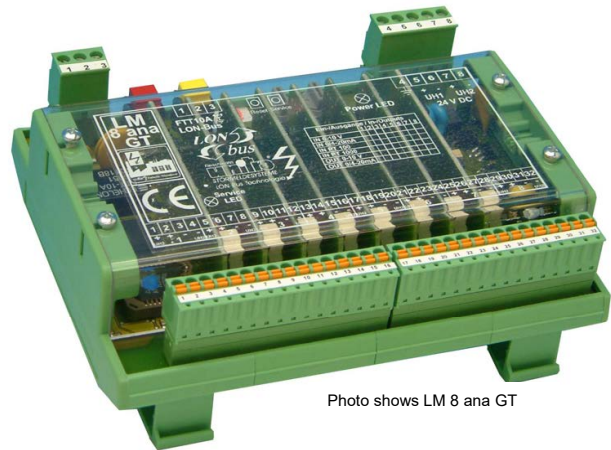
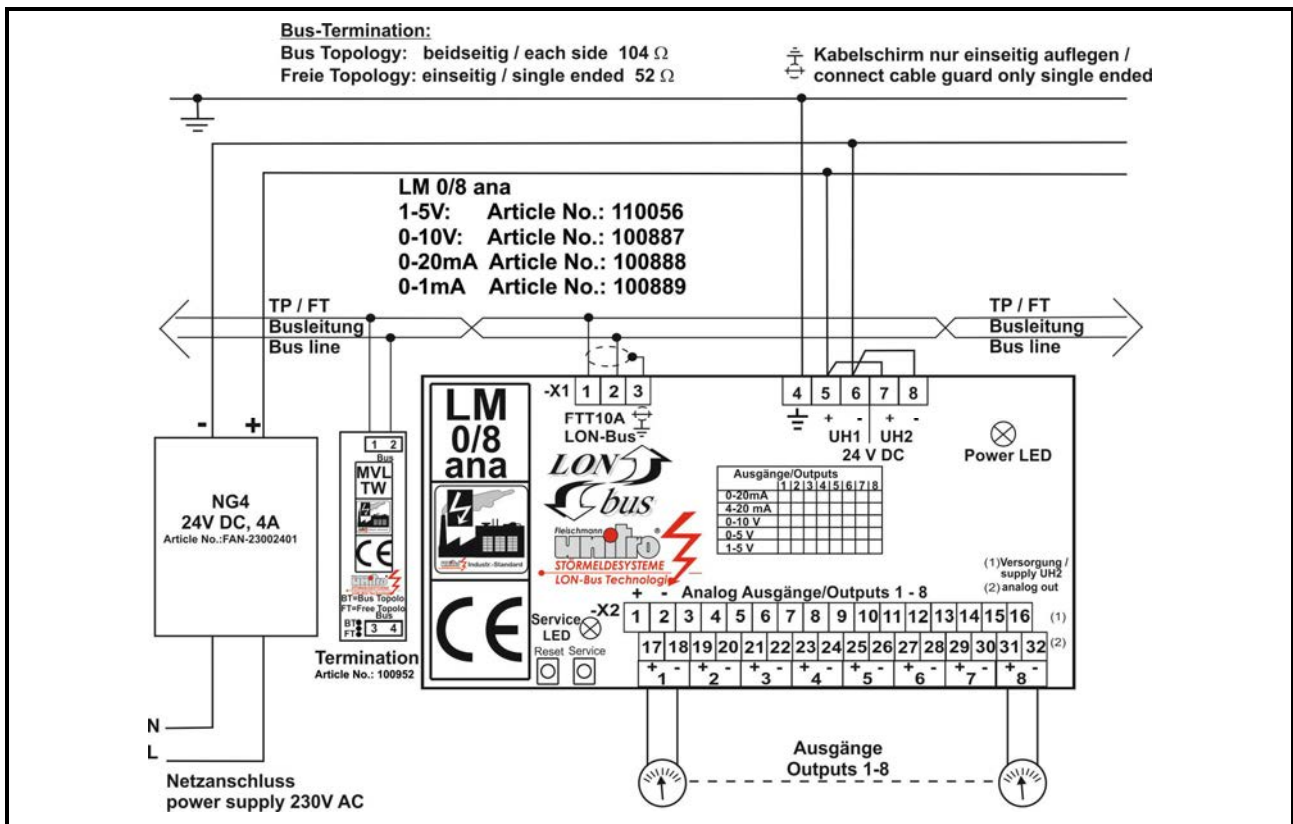


Photo shows LM 8 ana GT

### System features:

- Snap-on housing for DIN rail mounting 145 x 111 x 50mm high
- Degree of protection IP20
- Screw-type terminals, plug connection or spring-loaded terminals for connection 2,5mm<sup>2</sup>
- Supply voltage: 24V AC/DC 100mA ± 10%
- 8x analog outputs, depending on equipment variant:  
0-20mA max. 600Ω, or  
4-20mA max. 600Ω, or  
0-5V min. 1kΩ, or  
1-5V min. 1kΩ or  
0-10V min. 1kΩ
- EMC-values: UNITRO-Standard in accordance with EN 61000

## Connection diagram LM 0/8 ana



### Technical data:

- Type of construction:  
snap-on housing  
145 x 111 x 50mm high
- Degree of protection:  
IP20
- Weight:  
approx. 300g
- Climatic conditions:  
in accordance with UNITRO-Standard
- Connection:  
screw-type terminals/ plug connection  
or spring-loaded terminals max. 2,5mm<sup>2</sup>
- Function buttons:  
reset button  
service button
- Supply voltage:  
24V AC/DC, 100mA ± 10%
- Max. fuse:  
4A medium slow
- LED-display:  
power LED green  
service LED yellow: flashing = device not initialized  
continuous light = error
- Neuron chip:  
3150, 10 MHz + 64kB Flash-EEPROM
- Transmission:  
LON FTT10A two wire (twisted-pair),  
78kbps, max. 2,7km
- Bus connection:  
isolated transceiver, 500V disconnecting  
insulation voltage
- Outputs (equipment variant):  
8x analog outputs: 0-20mA max. 600Ω  
8x analog outputs: 4-20mA max. 600Ω  
8x analog outputs: 0-5V min. 1kΩ  
8x analog outputs: 1-5V min. 1kΩ  
8x analog outputs: 0-10V min. 1kΩ  
resolution: 12bit
- Leakage distances and clearances:  
in accordance with UNITRO-Standard
- EMC, immunity of interference:  
UNITRO-Standard,  
in accordance with EN 61000