



since 1971
the power to control

Fleischmann
unitro[®]
STÖRMELDESISTEME

Compact - field installation - display panel ME 24-P LED LON

Type designation:

ME 24-P LED LON fault monitoring

field installation display panel with 24 LED **red** for alarms according to ISA-18.1 / DIN 19235, with integrated horn, group alarm, horn output and operating buttons, connection via LON-bus interface

ME 24-P LED LON alarm and operating module

field installation display panel with 24 LED **red/green** for combined fault and operating messages according to ISA-18.1 / DIN 19235, with integrated horn, group alarm, horn output and operating buttons, connection via LON-bus interface



Controls and displays

- Bright 5mm RGB-LED display
- Separate status indicator (green = Power ON)
- Easily exchangeable label strips
- Integrated mini horn
- Integrated functional keys

System features

- Fault indicating system with one flashing frequency according to ISA-18.1-1979 (R2004) / DIN 19235
- Connection via LON-bus interface FTT10A
- Bus test with visual and audio indicators
- LON-bus self-binding address assignment (in conjunction with appropriate LON-bus modules)

Parameterization via front buttons

- Quiescent / operating current – for each signal
- Relevant / irrelevant for each signal
- Response delay variable for each signal max. 18h

Electrical characteristics

- Isolated equipment fault output and horn output (max. 230V AC 6A)
- EMC-values: UNITRO-Standard in accordance with EN 61000

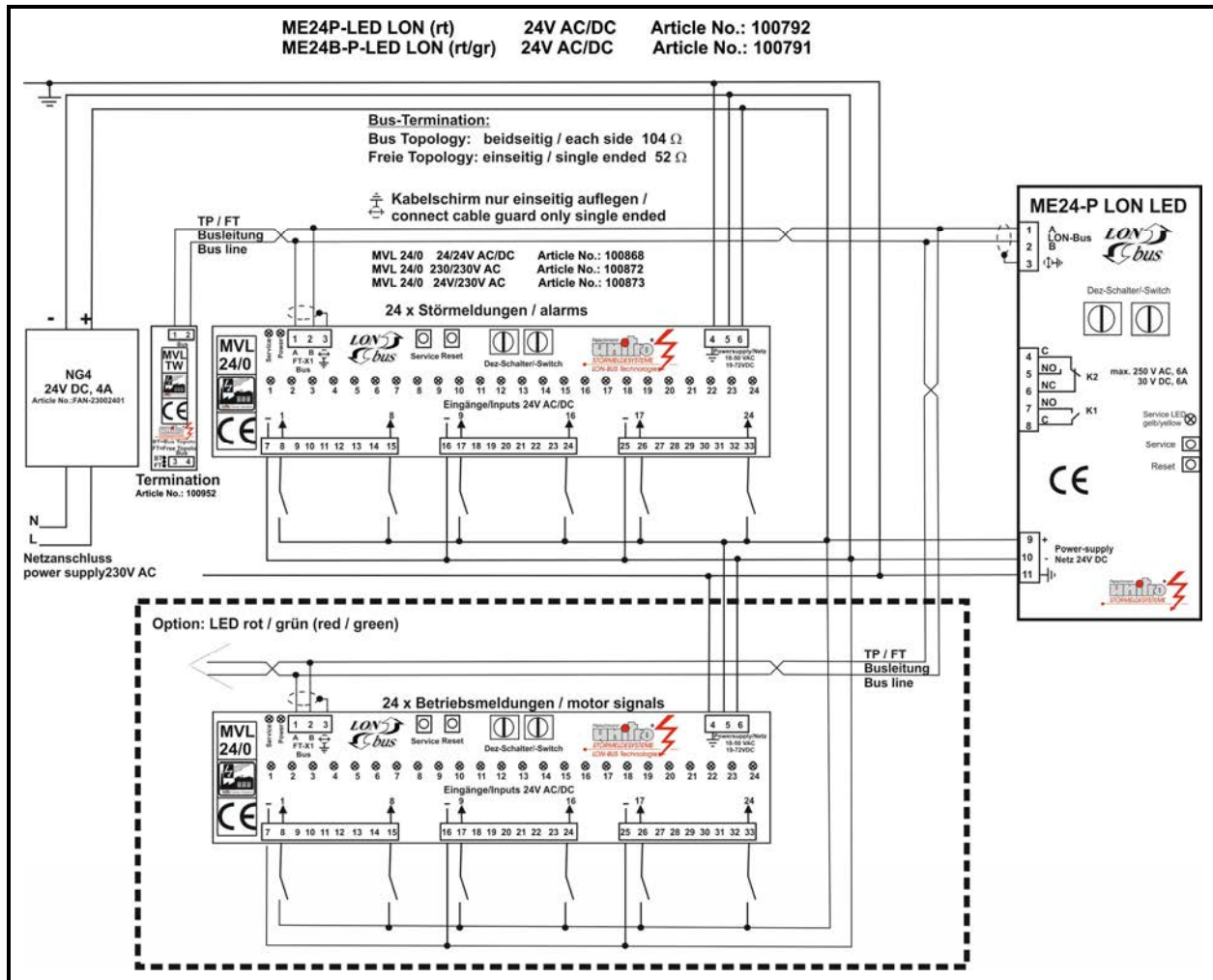
Mechanical characteristics

- Control panel housing plastic 144 x 144 x 61,5 + 25mm
- Screw-type terminals, plug connection for connection max. 2,5mm²

Option

- Recommended reporting modules: MVL 24/0

Connection diagram ME 24-P LED LON



Technical data:

- Type of construction:**
control panel housing
144 x 144 x 160 + 25mm
(cutting for installation 138 x 138 + 1mm)
- Degree of protection:**
front: IP50 with full-view acrylic glass
door IP54
housing: IP20
- Climatic conditions:**
in accordance with UNITRO-Standard
- Connection:**
screw-type terminals/ plug connection
max. 2,5mm²
- Supply voltage:**
24V AC/DC, 5W ± 10%
- Function buttons:**
reset + service button
with service LED yellow
- Neuron chip:**
3150 + 64 KB Flash-EEPROM
- Transmission:**
LON FTT10A two wire (twisted-pair),
78kbps, max. 2,7km
- Bus connection:**
isolated transceiver, 500V disconnecting
insulation voltage
- Relay outputs:**
1x isolated normally open (horn):
230V AC, 6A
1x isolated change-over contact (group alarm):
230V AC, 6A
- Leakage distances and clearances:**
in accordance with UNITRO-Standard
- EMC, immunity of interference:**
UNITRO-Standard,
in accordance with EN 61000